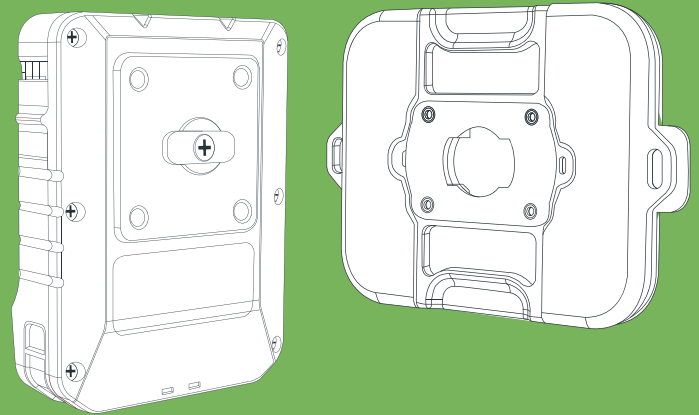


VIDEOBADGE VB-400 FIXINGS

TECHNICAL SPECIFICATIONS

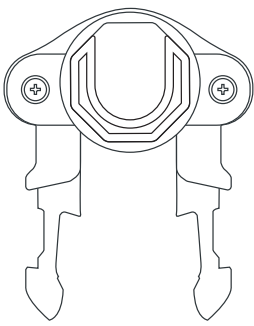
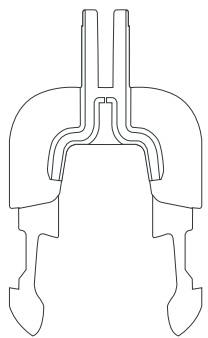
Edesix provides a number of accessories and fixings to complement your VideoBadge VB-400, making the badge simple to use, easy to wear and secure for your daily needs.



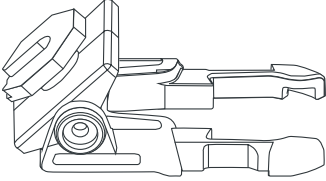
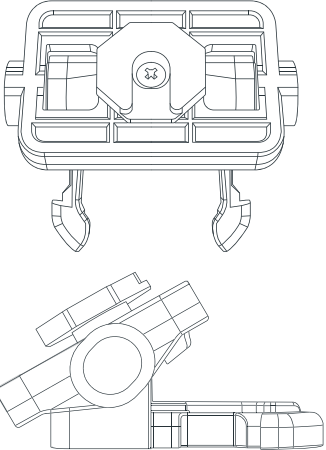
Designed for optimum performance and comfort in a wide range of situations, the VB-400 comes with a variety of fixing types to suit every uniform type and body shape.

QUICK RELEASE MOUNTS

Quick Release Mounts are compatible with Klick Fast bases, giving the user a great degree of flexibility over their VB-400 fixings.

Fixing	Description / Specification	
	KLICK FAST QUICK RELEASE STUD	
	About	<ul style="list-style-type: none"> ✓ Mounts directly onto police uniforms. ✓ Suitable for use with Klick Fast clothing fixings. ✓ Fixed angle fitting for closest mounting to body - ideal for use with 3 - and 4 - point harnesses.
	Weight	12g
	Dimensions	57mm x 48mm x 20mm
	QUICK RELEASE SPORTS CAMERA PILLAR	
	About	<ul style="list-style-type: none"> ✓ Compatible with sports camera mounts. ✓ Allows VB-400 to be used with an extensive variety of 3rd party mounts, allowing helmet-mounting, dashboard mounting etc.
	Weight	8g
	Dimensions	68mm x 40mm x 9mm

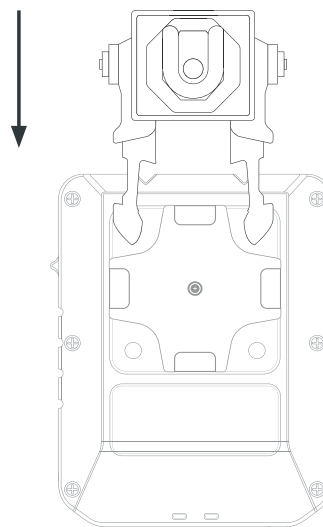
ED-002-049-07

Fixing	Description / Specification	
	KLICK FAST QUICK RELEASE TILT MOUNT	
	About	<ul style="list-style-type: none"> ✓ Mounts directly onto police uniforms. ✓ Suitable for use with Klick Fast clothing fixings. ✓ Tilting fitting for adjustable mounting angle against the body - ideal for use with most uniform fittings.
	Weight	13g
	Dimensions	56mm x 40mm x 19mm
	KLICK FAST QUICK RELEASE WIDE TILT MOUNT	
	About	<ul style="list-style-type: none"> ✓ Mounts directly onto police uniforms. ✓ Suitable for use with Klick Fast clothing fixings. ✓ Wide tilting fitting for adjustable mounting angle against the body - ideal for use with most uniform fittings.
	Weight	20g
	Dimensions	52mm x 53mm x 25mm

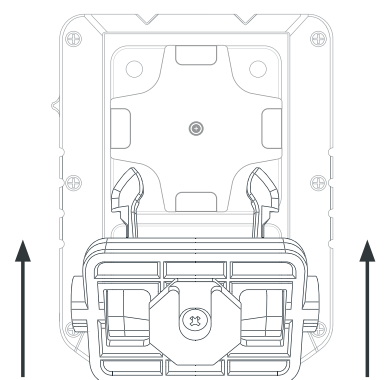
Using the Quick Release Mounts

To attach a Quick Release fixing to your VB-400 camera, simply slide the fixing into the Quick Release Base on the back of your VB-400 as shown.

To detach the Fixing from your VB-400, squeeze the two prongs together and slide out of the Quick Release Base.



Slide Tilt Mount into QR Base from above.



Slide Wide Tilt Mount into QR Base from below.

ED-002-049-07

KLICK FAST MOUNTS

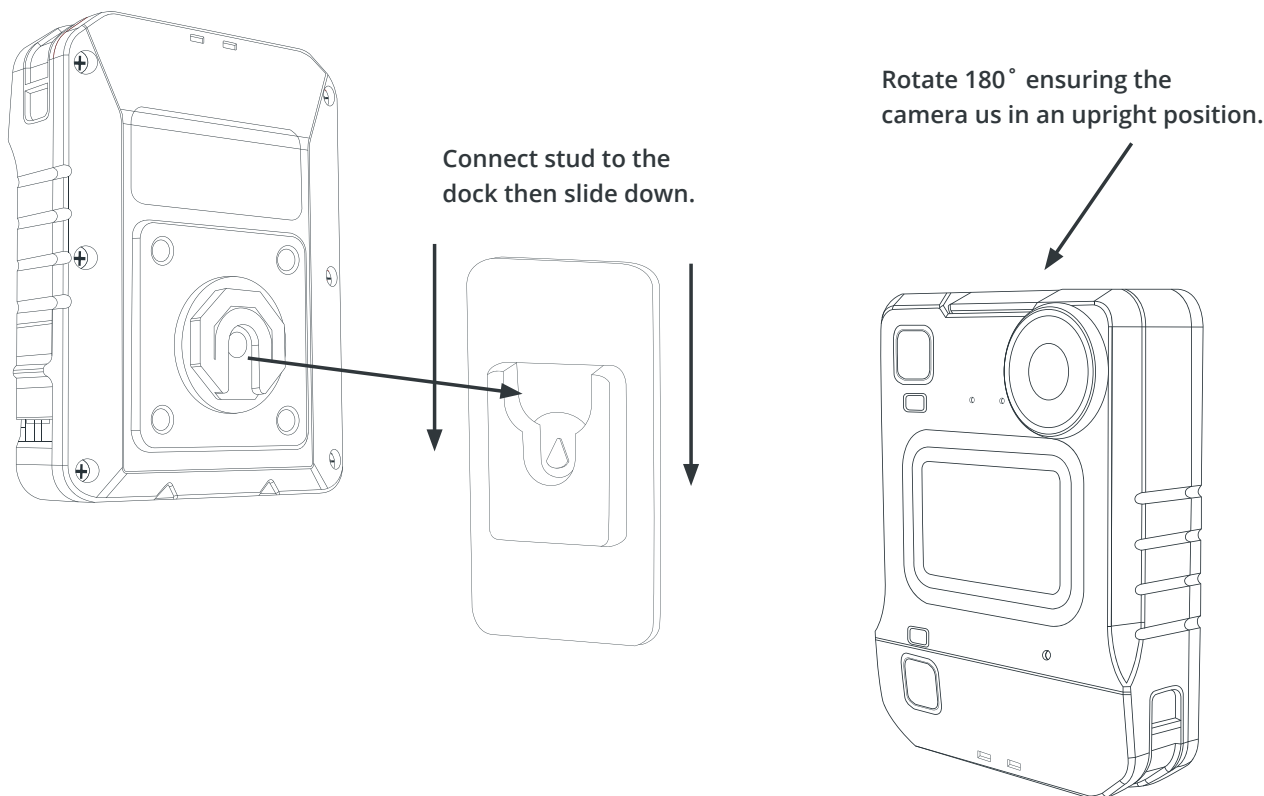
Klick Fast mounts are compatible with Klick Fast docks - a standard fitting on most police, public safety and security uniforms.

VB-400 Body Worn Cameras fitted with Klick Fast mounts **do not** require additional fixings, they attach straight on to compatible uniforms.

Using the Klick Fast Mount

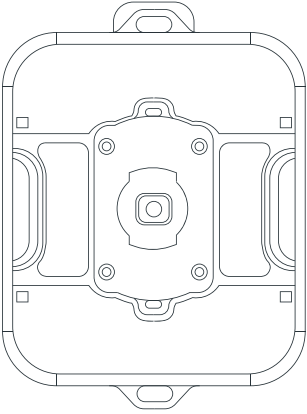
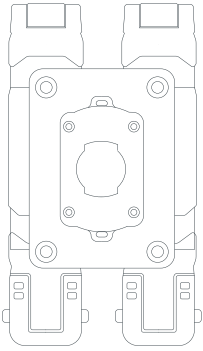
To attach a VB-400 with a Klick Fast Mount to your uniform, simply rotate the camera 180° and slide the stud down into the Klick Fast dock attached to your uniform. Once fully docked, rotate 180° ensuring the camera is in an upright position as shown.

To detached a VB-400 with a Klick Fast Mount from your uniform, simply rotate the camera 180° and slide the stud out of the Klick Fast dock as shown.



CLOSE-FIT MOUNTS

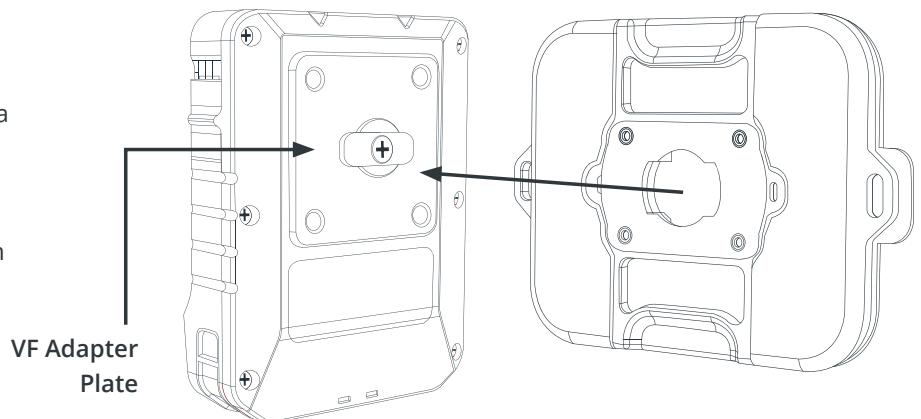
The Close-Fit Mounts are compatible with almost every type of uniform and fabric, and can be detached with a simple twist motion. The MOLLE Mount is compatible with MOLLE tactical clothing, offering maximum functionality in police, security & military settings.

Fixing	Description / Specification	
	CLOSE-FIT MAGNETIC MOUNT	
	About	<ul style="list-style-type: none"> ✓ Compatible with most uniforms and fabrics. ✓ Can be taken on/off quickly with a simple twist motion. ✓ Can be configured for double strength if necessary. <i>(Requires 2 x magnet mounts)</i> ✓ Can be used in conjunction with a lanyard for extra security.
	Weight	139g
	Dimensions	100mm x 75mm x 9mm
	CLOSE-FIT DOUBLE MOLLE MOUNT	
	About	<ul style="list-style-type: none"> ✓ Compatible with MOLLE tactical clothing. ✓ Lightweight and rugged. ✓ Easy to use.
	Weight	103g
	Dimensions	120mm x 65mm x 9 mm

Using the VF Close-fit Mounts

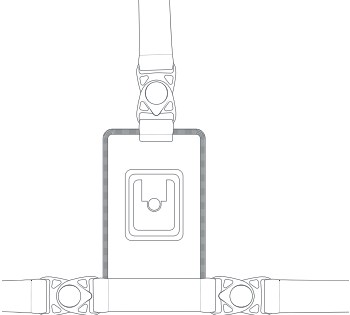
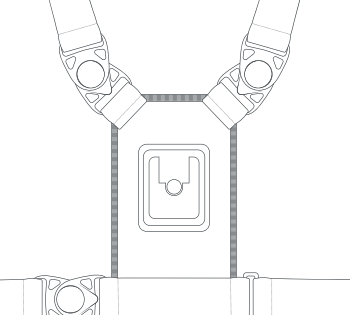
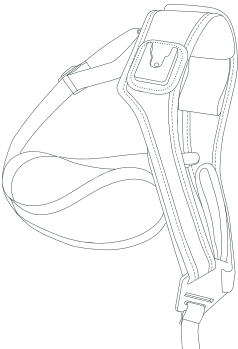
To attach a VB-400 camera to your VF mount, connect the VF adapter plate on the back of your device to the mount and rotate the camera clockwise to lock in place.

To detach your VB-400 from the mount, rotate the camera counter clockwise and remove from the mount.



HARNESSES

Harnesses provide a comfortable and secure means of wearing a Body Worn Camera, typically when worn for a full shift and needs to be clearly visible to members of the public.

Fixing	Description / Specification	
	KLICK FAST 3-POINT CHEST HARNESS	
	About	<ul style="list-style-type: none"> ✓ Positions VideoBadge on left of wearer to enable driving with seatbelt ✓ Fully adjustable
	Weight	133g
	KLICK FAST 4-POINT CHEST HARNESS	
	About	<ul style="list-style-type: none"> ✓ Positions VideoBadge centrally on the chest of the wearer ✓ Fully adjustable 36" to 48" (chest size)
	Weight	204g
	KLICK FAST SHOULDER HARNESS	
	About	<ul style="list-style-type: none"> ✓ Single sided camera harness. ✓ Can be adjusted to fit nearly onto any uniform. ✓ Achieves a higher than usual mounting position for capturing more usable footage.
	Weight	145g

Wearing the Klick Fast Shoulder Harness Instructions

Attaching the clips

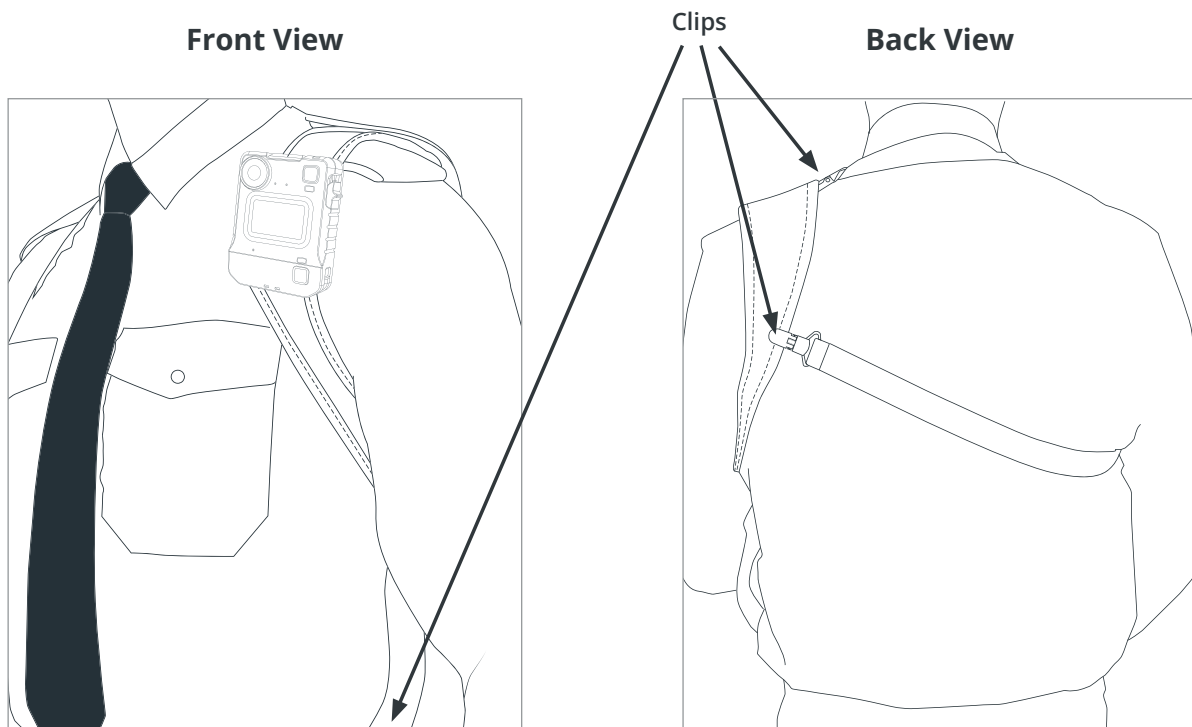
With the Klick Fast stud attachment facing to the front, attach the top clip to the top of the velcro strap as shown. Then attach the bottom clip to the narrow part of the main shoulder strap.

Wearing the shoulder harness

Place the main shoulder strap on your left shoulder and place your right arm through the elastic strap, making sure it doesn't restrict the movement of your arms. Then clip the short elastic strap to the waist of your trousers.

Adjusting the shoulder strap

Place the shoulder strap over your left shoulder as shown and adjust the velcro straps to ensure the shoulder holster is comfortable and the Klick Fast attachment is facing the front at a suitable angle.



This clip can be attached to a belt to help stop the harness from moving around.